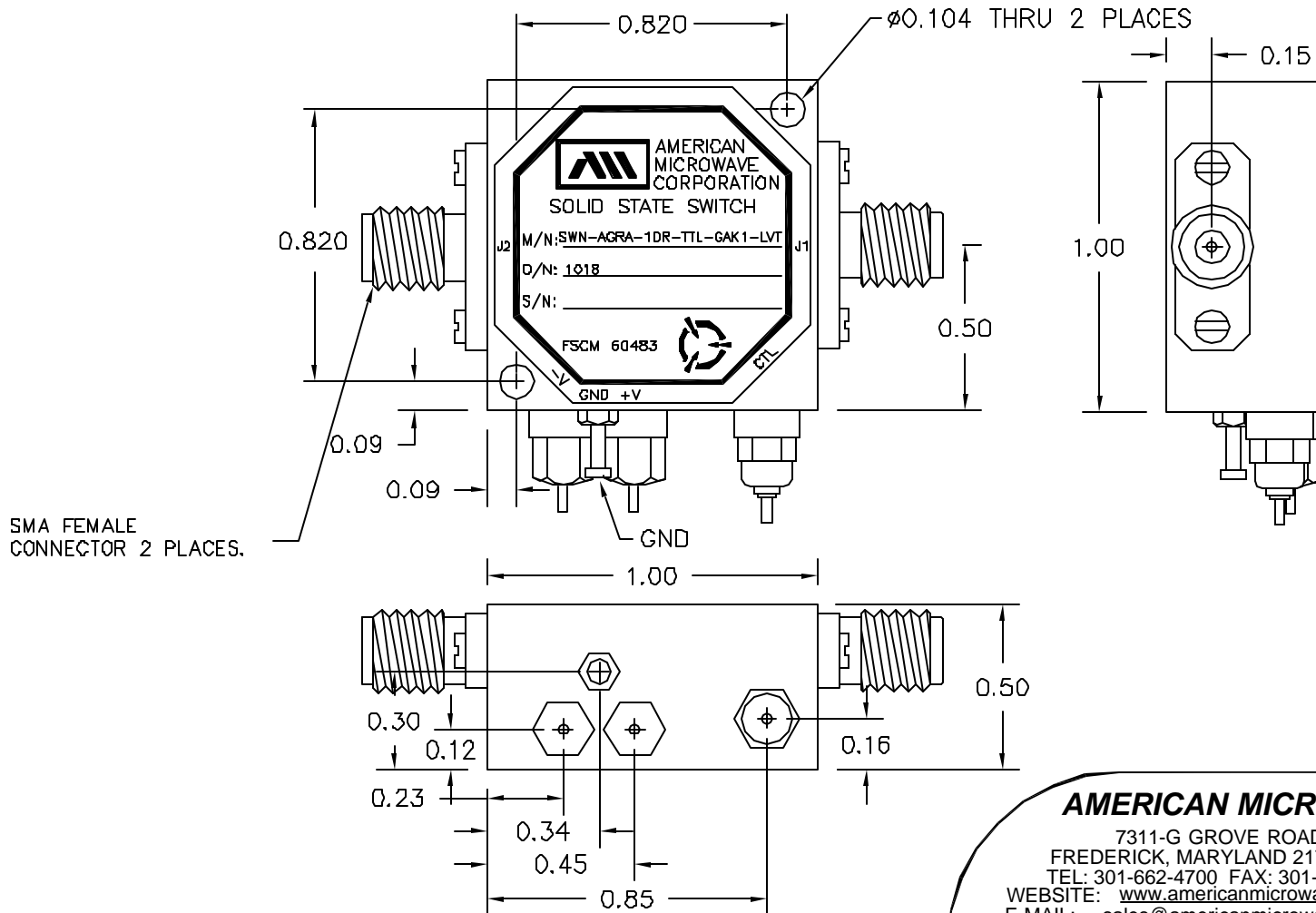


DESCRIPTION

AMC MODEL SWN-AGRA-1DR-TTL-GAK1-LVT IS A 10 TO 18 GHz SINGLE POLE SINGLE THROW SWITCH HAVING AN INSERTION LOSS OF 2.5 dB MAXIMUM, AN ISOLATION OF 80 dB MINIMUM, AND VSWR OF 2.0:1 MAXIMUM. THE SIZE IS 1.00" x 1.00" x 0.50". THE WEIGHT IS 1.5oz.

MECHANICAL OUTLINE



SMA FEMALE CONNECTOR 2 PLACES.

ALL DIMENSIONS ARE IN INCHES
TOLERANCES:
X.XX ±0.020
X.XXX ±0.010

REVISIONS				
ZONE	REV.	DESCRIPTION	DATE	APPROVED
	-	ORIGINAL RELEASE	2/14/05	

AMERICAN MICROWAVE CORPORATION

7311-G GROVE ROAD
FREDERICK, MARYLAND 21704 USA
TEL: 301-662-4700 FAX: 301-662-4938
WEBSITE: www.americanmicrowavecorp.com
E-MAIL: sales@americanmicrowavecorp.com
ISO 9001:2000 CERTIFIED



APPROVALS		DATE	TITLE	
DRAWN <i>EJD</i>		2/14/05	MECHANICAL OUTLINE SWN-AGRA-1DR-TTL-GAK1-LVT OPTION 1018	
CHECKED			SIZE	10 TO 18 GHz SINGLE POLE SINGLE THROW SWITCH
ISSUED			FSCM NO.	60483
			DWG NO.	100-7339
			SCALE	N:S
			SHEET	2 OF 3

